

MAIN SPECIFICATIONS				
General	1	Manufacturer		UN
	2	Model		FB25-FCNZC
	3	Drive: Electric (battery or mains), Diesel, Petrol,fuel gas		Electric
	4	Operator type: Hand, Pedestrian, Standing, Seated, order-picker		Seated
	5	Load capacity /rated load	lb (kg)	5000 (2270)
	6	Load centre distance	c in (mm)	24 (600)
	7	Load distance, center of drive axle to fork	x in (mm)	17.8 (452.5)
	8	Wheelbase	y y (mm)	55.1 (1400)
	9	Total Weight	lb (kg)	9240 (4200)
Characteristic & Dimension	10	Tires:Solid rubber,Superelastic,Pneumatic, Polyurethane		Pneumatic
	11	Tyre size (Front x 2)		21X7-15
	12	Tyre size (Rear x 2)		16X6-10.5
	13	Front tread	b10 a	35.5 (902)
	14	Rear tread	b11 in (mm)	36.3 (921.5)
Dimensions	15	Tilt of mast/fork carriage forward/backward	α/β (°)	6°/8°
	16	Mast lowered height	h1 in (mm)	80.9 (2055)
	17	Free lift height	h2 in (mm)	4.3 (110)
	18	Rated lift height	h3 in (mm)	118.1 (3000)
	19	Mast extended height (With backrest)	h4 in (mm)	159.8 (4060)
	20	Overhead guard height	h6 in (mm)	87 (2210)
	21	Length to face of fork (Without fork)	l2 in (mm)	87.6 (2224)
	22	Overall width	b1 in (mm)	42.5 (1080)
	23	Fork size (l×e×s)	l/e/s in (mm)	1.6×4.8×42 (40/122/1070)
	24	Distance between fork-arms	b5 in (mm)	9.6/40.6 (244/1032)
	25	Ground clearance (Laden,below mast)	m1 in (mm)	3.5 (90)
	26	Ground clearance (Centre of wheelbase)	m2 in (mm)	3.8 (97)
	27	Aisle width for pallets 1000×1200 crossways	Ast in (mm)	141.8 (3602)
28	Aisle width for pallets 800×1200 lengthways	Ast in (mm)	149.7 (3802)	
29	Turning radius (Outside)	Wa in (mm)	76.8 (1950)	
Performance	30	Travel speed (Full load)	mph (km/h)	8.1 (13)
	31	Travel speed (No load)	mph (km/h)	8.7 (14)
	32	Lifting speed (Full load)	fpm (mm/s)	59.1 (300)
	33	Lifting speed (No load)	fpm (mm/s)	78.7 (400)
	34	Max.Gradeability (Full load)	%	15
	35	Max.Gradeability (No load)	%	15
	36	Service brake		Hydraulic
37	Parking brake		Mechanical	
Power & Transmission	38	Drive motor rating S2-60min	HP (kW)	21.5 (16)
	39	Lift motor rating at S3-15min	HP (kW)	28.2 (21)
	40	Battery voltage, nominal capacity	V/Ah	80/350
	41	Battery weight	lb (kg)	485 (220)
	42	Type of drive control		MOS/AC
	43	Manufacturer		ZAPI
	44	Operating pressure (For attachments)	bar (Mpa)	120.7 (175)



ZHEJIANG UN FORKLIFT CO., LTD.

ADDRESS: NO.1,ROAD ONE,XINDENG NEW DISTRICT,FUYANG,
HANGZHOU,ZHEJIANG 311404,CHINA

TEL: +86-571-8688 8355 (AMERICA)
+86-571-8886 9363 (EUROPE)
+86-571-8688 8377 (ASIA, AFRICA, OCEANIA)

E-MAIL: info@unforklift.com
PARTS INQUIRY: parts@unforklift.com

www.unforklift.com



CE CERTIFICATE



ISO14001 2004



ISO9001 2004



FC SERIES

4-WHEEL CUSHION TIRE

LITHIUM ION FORKLIFT TRUCK

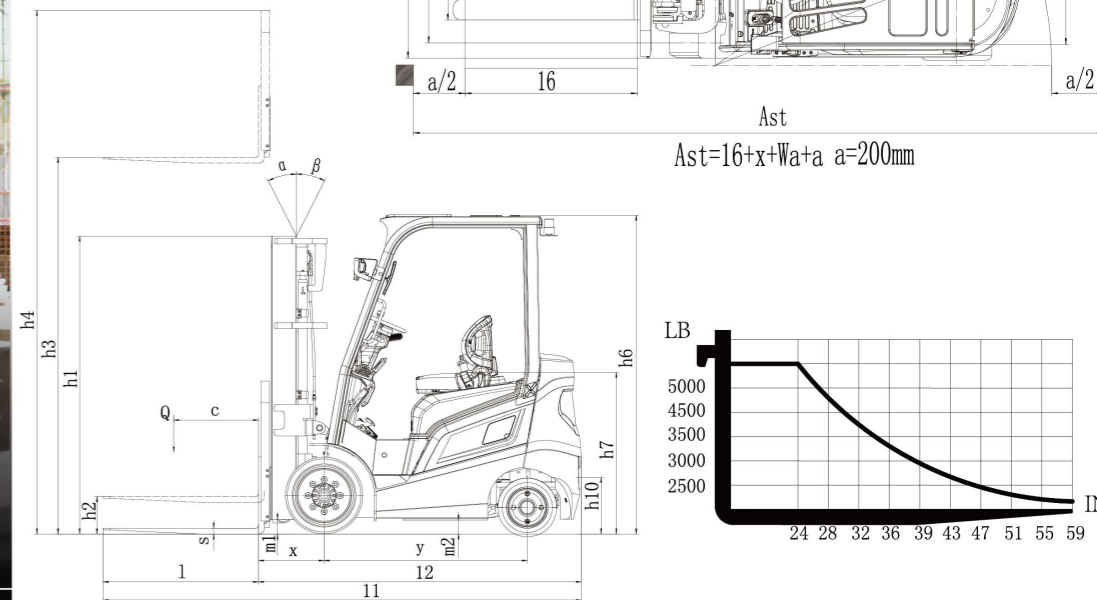
CAPACITY 2500-3200kg /5000-7000lb

FC Series 4-Wheel Cushion Tire Lithium-ion Forklift combines compact size, high maneuverability, and efficient electric performance. With capacities suitable for warehousing, distribution, and light-to-medium industrial use, the FC Series prioritizes productivity, operator comfort, and reliability for clean, quiet, and efficient indoor material handling.





Pure Lithium-ion Forklift



Performance

- Drive motor in H-type parallel layout ensures excellent vehicle stability.
- High-mounted steering axle enhances stability.
- Compact structure with a tight turning radius, ideal for confined spaces.
- High-power hydraulic pump motor with large, quiet pump boosts lift speed.
- Multiple travel speed modes adapt to different working environments.

Ease of Maintenance

- Fully opening hood and control covers allow easy maintenance.
- Tool-free removable floor panel enables convenient service of the drive motor, DCDC, and other components.

Ergonomics

- Ergonomically designed, adjustable small-diameter steering wheel.
- Fully enclosed instrument console with front-mounted control levers maximizes legroom.
- Multifunction color display for clear and intuitive readings.

Perfect Applications

- Wholesale supply chains.
- Warehousing and third-party logistics.
- Retail and store operations.
- E-commerce fulfillment and distribution centers.
- Healthcare and pharmaceutical logistics.

- Fast charging: Full charge in 2 hours
- Opportunity charging: No memory effect, ideal for multi-shift work
- Industrial-grade cells + BMS: Real-time battery monitoring
- Up to 5-year warranty: Long-term reliability guaranteed
- Maintenance-free: Hassle-free daily operation
- Zero emissions: Safe and clean for indoor use
- Cold-resistant: Optional heating system for operation down to -30 °C



STANDARD

- 2nd Valve & Pipe
- Duplex Mast
- LED Lights
- Warning Lights
- Standard Battery
- USB & Type-c Ports
- Proportional Lifting
- High/low Travel Speed
- Load-sensing Steering System
- Multi-function Color Display

OPTIONAL

- Semi Cab
- Full Cab
- Full Cab With Heater
- 3rd Valve & Pipe
- 4th Valve & Pipe
- 2-stage Full Free Mast
- 3-stage Full Free Mast
- Integral Or Hook- On Side Shifter
- Interior Rear-view Mirror
- Suspension Seat
- High-capacity Battery
- Ops (Operator Presence System)
- Rear Handle With Horn
- Intelligent Cornering Speed Reduction
- Non-marking Solid Tires
- Rear Working Lights
- Rear Blue Spot Light
- Red Line Warning Light (3 Sides)
- On-board Terminal

MAST SPECIFICATIONS & RATED CAPACITIES

Mast Type	Mast Name	Max. Fork Height (mm)	Load capacity (kg)	Overall Height (mm)			Free Lift (mm)		Tilt Angle	Total Weight (lb)
				Lowered	Extended		Without Backrest	With Backrest		
					Without Backrest	With Backrest				
Wide View Mast	M300	118.1	5000	80.9	143	158.7	4.3	158.7	6-8	9240
	M330	129.9	5000	86.8	154.8	170.5	4.3	170.5	6-8	9285
	M350	138.8	5000	90.7	162.6	178.3	4.3	178.3	6-8	9320
	M370	145.7	5000	94.7	170.5	186.2	4.3	186.2	6-6	9370
	M400	157.5	5000	102.6	182.3	198	4.3	198	6-6	9435
	M450	169.3	5000	108.5	194.1	209.8	4.3	209.8	6-6	9550
3-Stage Full Free Wide View Mast	M470	185	5000	116.3	209.9	225.6	4.3	225.6	6-6	9630
	M500	196.9	5000	124.2	221.7	237.4	4.3	237.4	6-6	9680
	TFM400	157.5	5000	75.8	182.3	198	51.3	198	6-6	9540
	TFM430	169.3	5000	79.7	194.1	209.8	55.3	209.8	6-6	9575
	TFM450	177.2	5000	83.7	202	217.7	59.2	217.7	6-6	9625
	TFM480	189	5000	87.6	213.8	229.5	63.1	229.5	6-6	9650
TFM500	196.9	4400	89.6	221.7	237.4	65.1	237.4	6-6	9700	
TFM550	216.5	4300	97.4	241.4	257.1	73	257.1	3-6	9790	
TFM600	236.2	3000	105.3	621.1	276.8	80.9	276.8	3-6	9930	

Note: With side shifter, load capacity subtract 440lb.